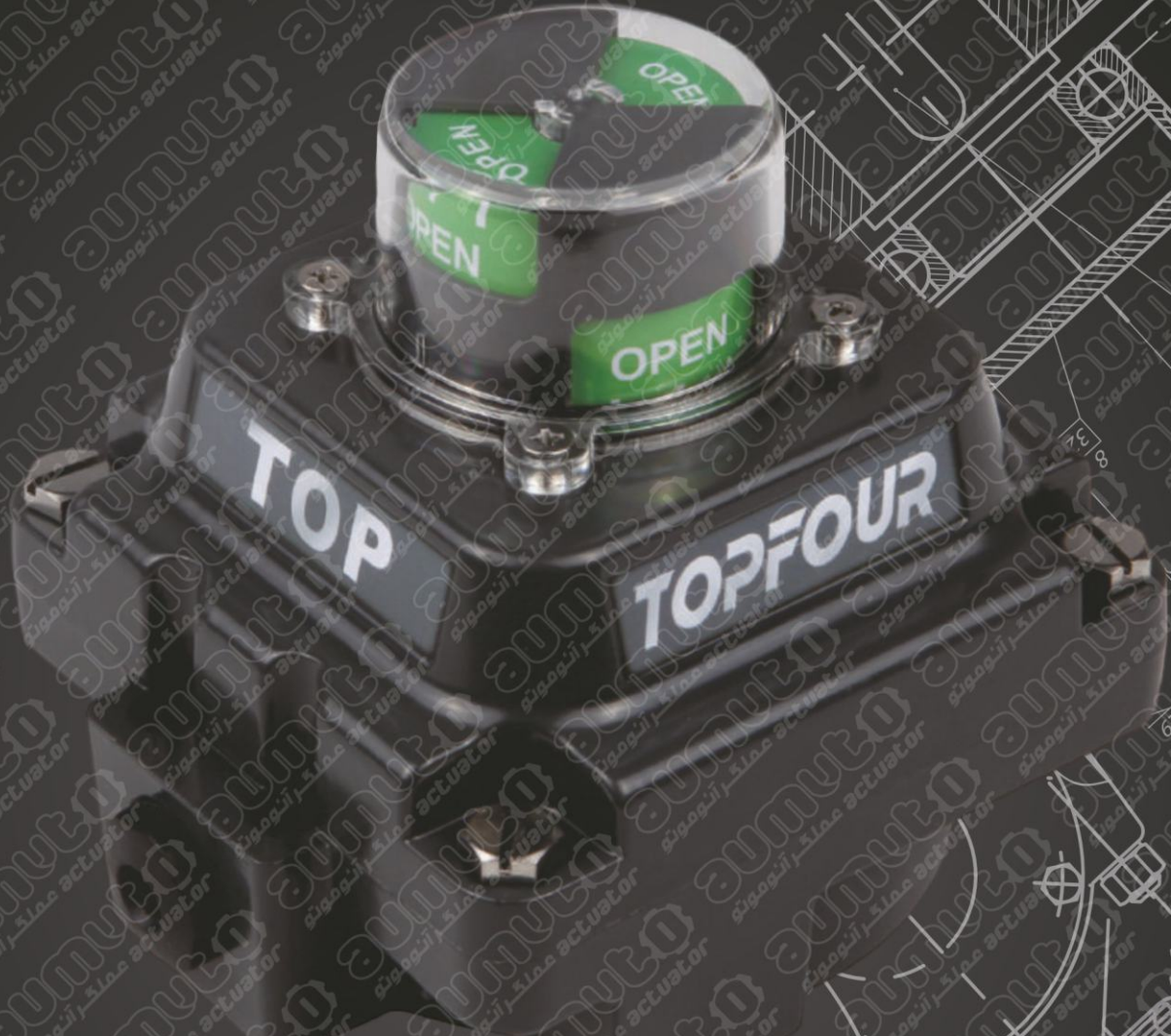


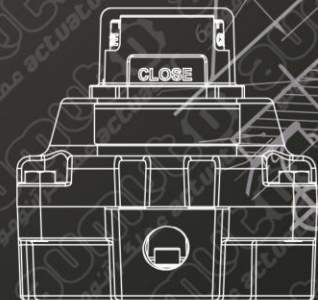
اكتواتور

actuator عملگر آنوموتو



TOP SERIES

position monitoring switch box



TOP-200 (Limit Switch)

Standard parameters

Brand	ALTIGEN
Name	Water proof limit switch
Model	TOP-200
Microswitch	2SPDT
Voltage	Max 250V AC/DC
Steady Current	250VAC 0.6A
IP Grade	IP67/IP68

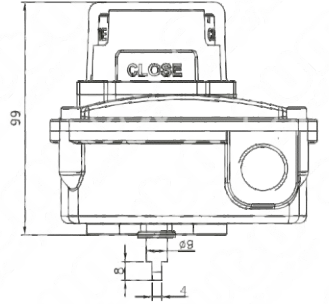
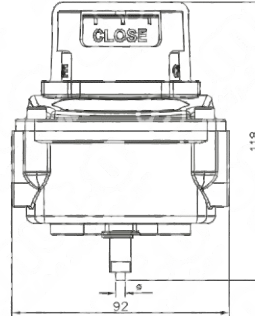
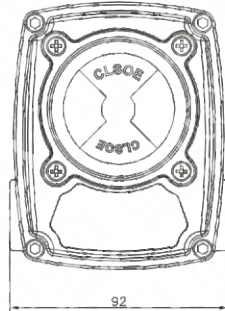
Ex Grade	NA
Ambient Temp.	-20~+80 °C
Elec. Conn.	NPT1/2
Bracket	Movable 30-80/130-H20/H30
Housing Material	Aluminium Die Casting
Wiring Terminal	Eight (six switches, two standby)
Position Indicator	CLOSED (Red) / OPEN (Green)

Housing	Low cooper aluminum die-casting
Coating	Epoxy-Polyester
Sealing	NBR O-rings on each interface (Dome indicator, Lower/Upper Housing, Shaft)
Cams	Poly-Carbonate
Bushings	Bronze
Shaft	AISI304 Stainless Steel
Earth Lug	Stainless Steel
Mounting Bracket	AISI304 Stainless Steel

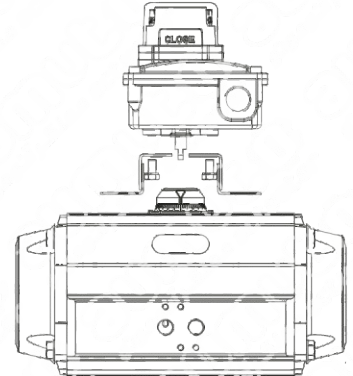
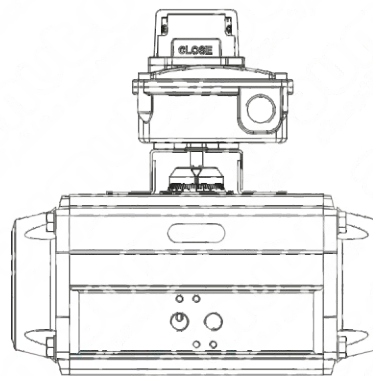
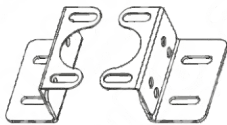


TOP-200 (Limit Switch)

Outline size



Installation diagram



Size definition

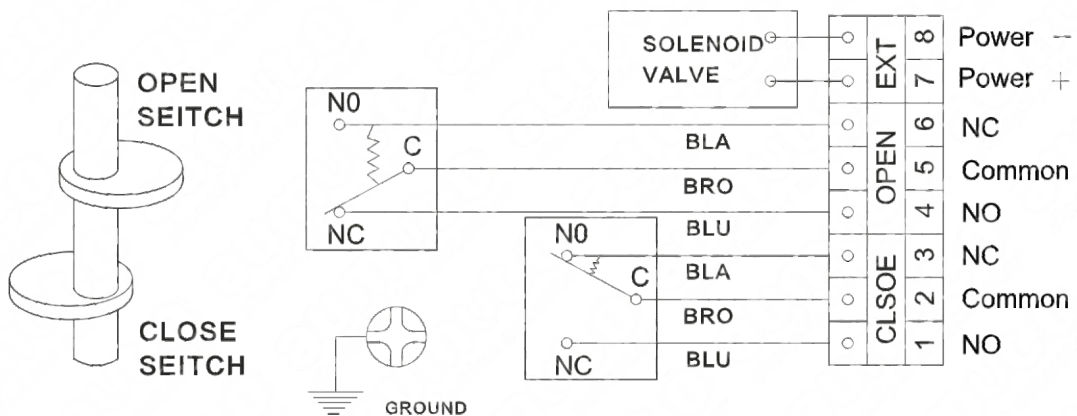
Mounting size in line with 30-80/130-H20/H30 industry standard

30mm represents the center distance of the transverse mounting hole on the upper end face of the actuator

80/130mm represents the center distance of the longitudinal mounting hole on the upper end face of the actuator

H20-H30mm represents the height from which the upper shaft of the actuator protrudes

Product wiring diagram



TOP-500 (Limit Switch)

Standard parameters

Brand	ALTIGEN
Name	Water proof limit switch
Model	TOP-500
Microswitch	2SPDT
Voltage	Max 250V AC/DC
Steady Current	250VAC 0.6A
IP Grade	IP67/IP68

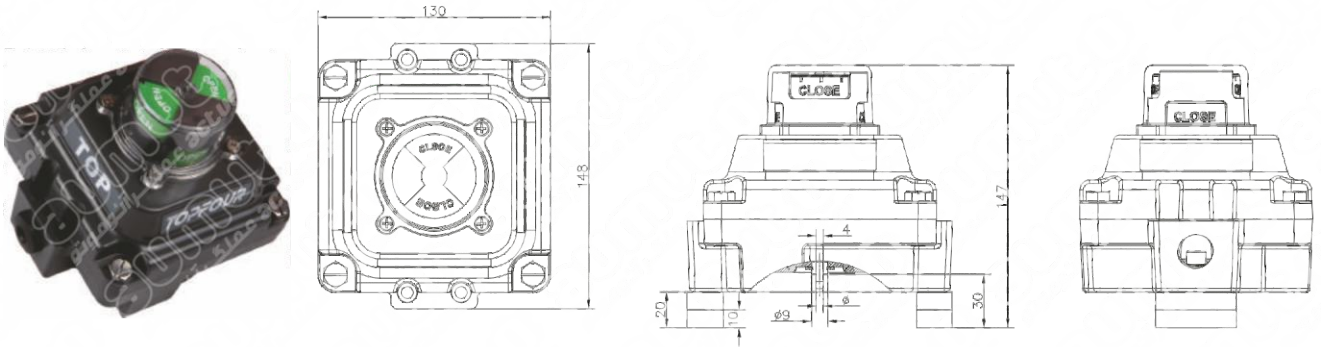
Ex Grade	ExdII CT6
Ambient Temp.	-20~+80 °C
Elec. Conn.	NPT1/2
Bracket	Block 30-80/120-H20/H30
Housing Material	Aluminium D1a Casting
Wiring Terminal	Eight (six switches, two standby)
Position Indicator	CLOSED (Red) / OPEN (Green)

Housing	Body die-cast aluminum alloy, top and bottom copper bushing
Coating	Epoxy-Polyester
Sealing	NBR O-rings on each interface (Dome indicator, Lower/Upper Housing, Shaft)
Cams	Poly-Carbonate
Bushings	Bronze
Shaft	AISI304 Stainless Steel
Earth Lug	Stainless Steel
Mounting Bracket	Aluminum alloy

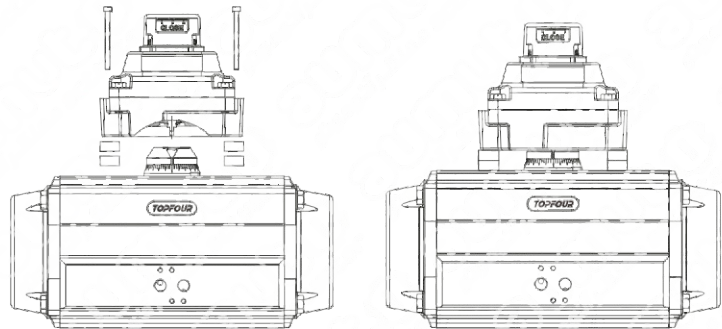
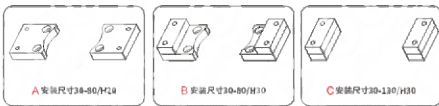


TOP-500 (Limit Switch)

outline size



Installation diagram



Size definition

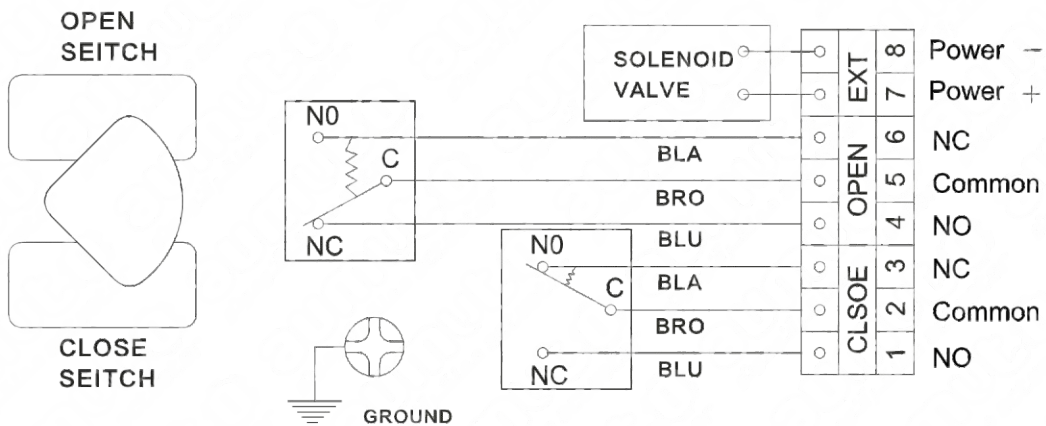
Mounting size in line with 30-80/130-H20/H30 industry standard

30mm represents the center distance of the transverse mounting hole on the upper end face of the actuator

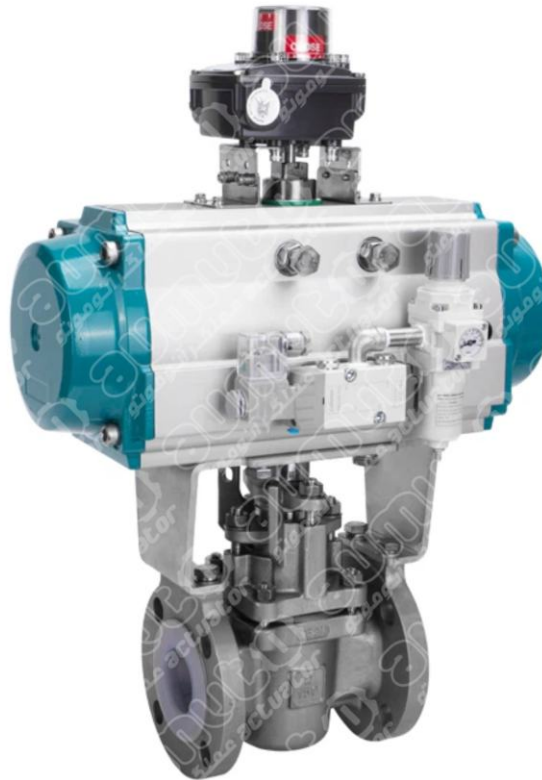
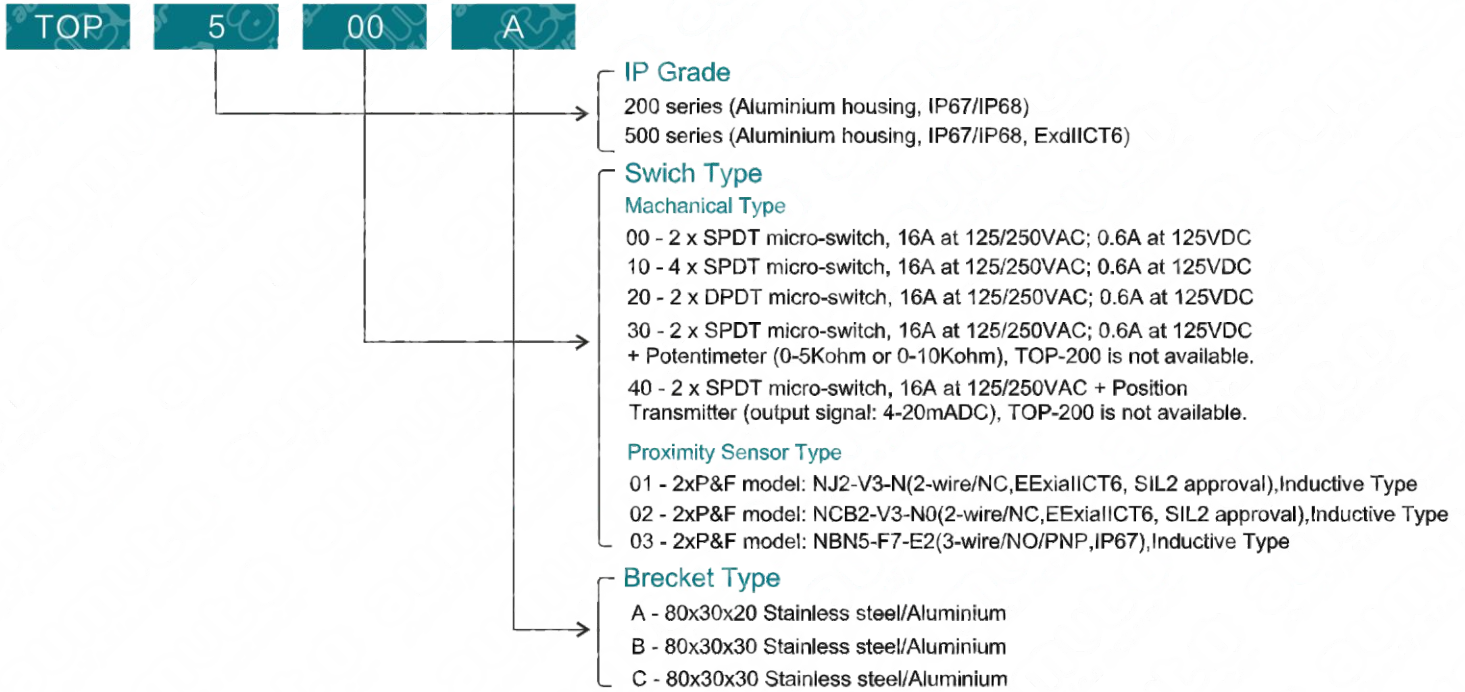
80/130mm represents the center distance of the longitudinal mounting hole on the upper end face of the actuator

H20-H30mm represents the height from which the upper shaft of the actuator protrudes

Product wiring diagram



Limit switch selection



اوموتو

actuator عملگر انوموتو

B u i l d A Q u a l i t y

تهران، لاله زار جنوبی، روبه روی مسجد لاله زار، کوچه اتحادیه، پاساژ اتحادیه، طبقه همکف، پلاک ۳۱

تلفن: ۰۲۱-۳۳۹۹۸۲۰۴-۵ تلفکس: ۰۲۱-۴۰۳۳۰۳۴۰

www.aumuto.com