

اكتواتور

actuator عملگر آنوموتو

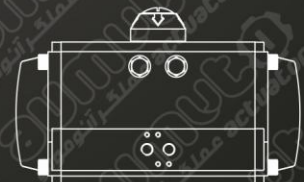


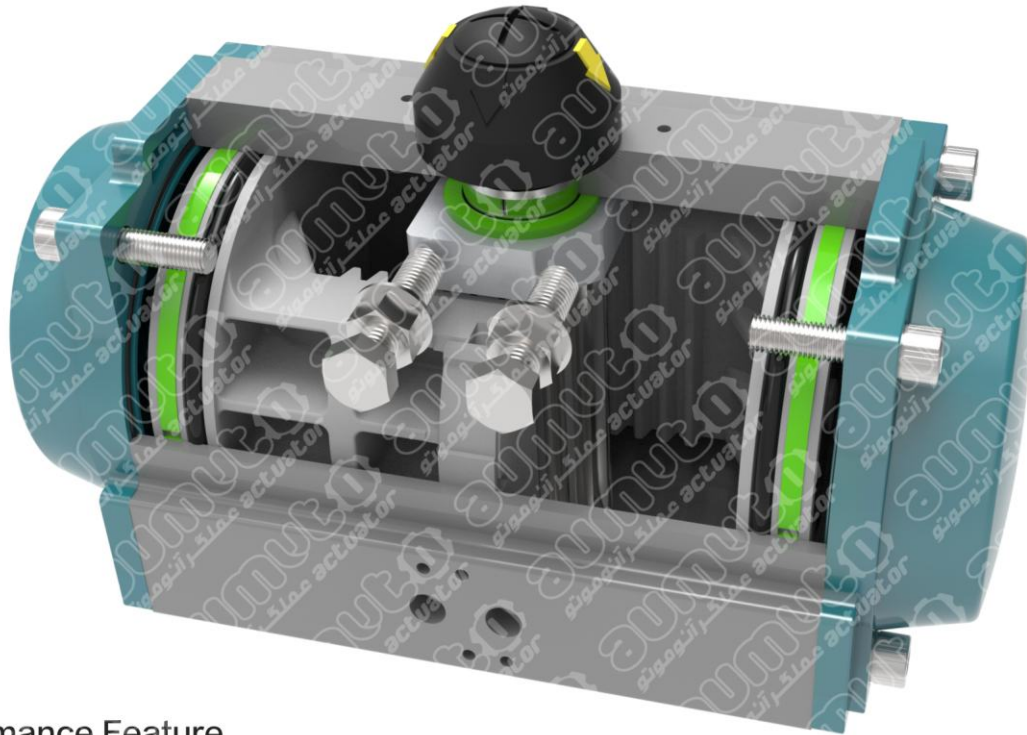
RT

PNEUMATIC ACTUATOR

Intelligent Process Control

Build A Quality





Performance Feature

1. Indicator

The indicator conforms to the VID/VIE3845 NAMUR standard, which is convenient for installing limit switch, positioner and other accessories.

2. Output Shaft

The design of the one-body forging and pressing output shaft of nickel-plated alloy steel is in accordance with NAMUR, ISO5211 and DIN3337 standard. Special standards can be customized according to the customer.

3. Cylinder Block

It is made of high quality aluminum alloy extrusion, the surface is coated with hard anodic oxidation and teflon coating.

4. End Cover

Aluminum alloy die casting, surface with anodic hardening treatment and metal polyester coating.

5. Piston

Cast aluminum with hard oxidation.

6. Adjustment Bolt

Two independent adjustment bolts realizes accurate adjustment within $\pm 5^\circ$ of the angle of the valve opening and closing.

7. Piston Ring

Use low friction and long life composite material, convenient repair and replace.

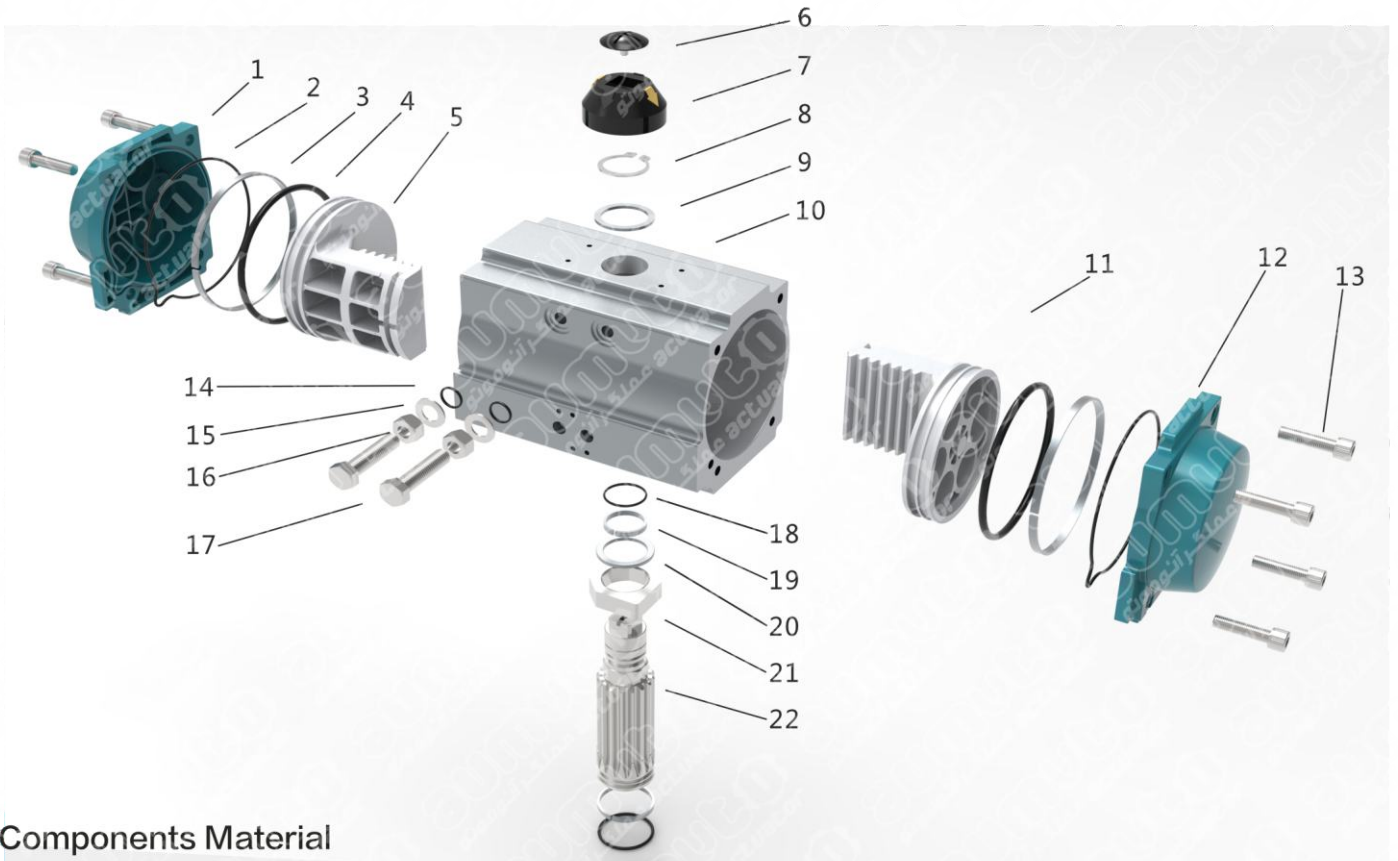
8. Seal

Use nitrile rubber under normal temperature, special seal is available according to the customer's requirement for high temperature and low temperature.

9. Air Connection

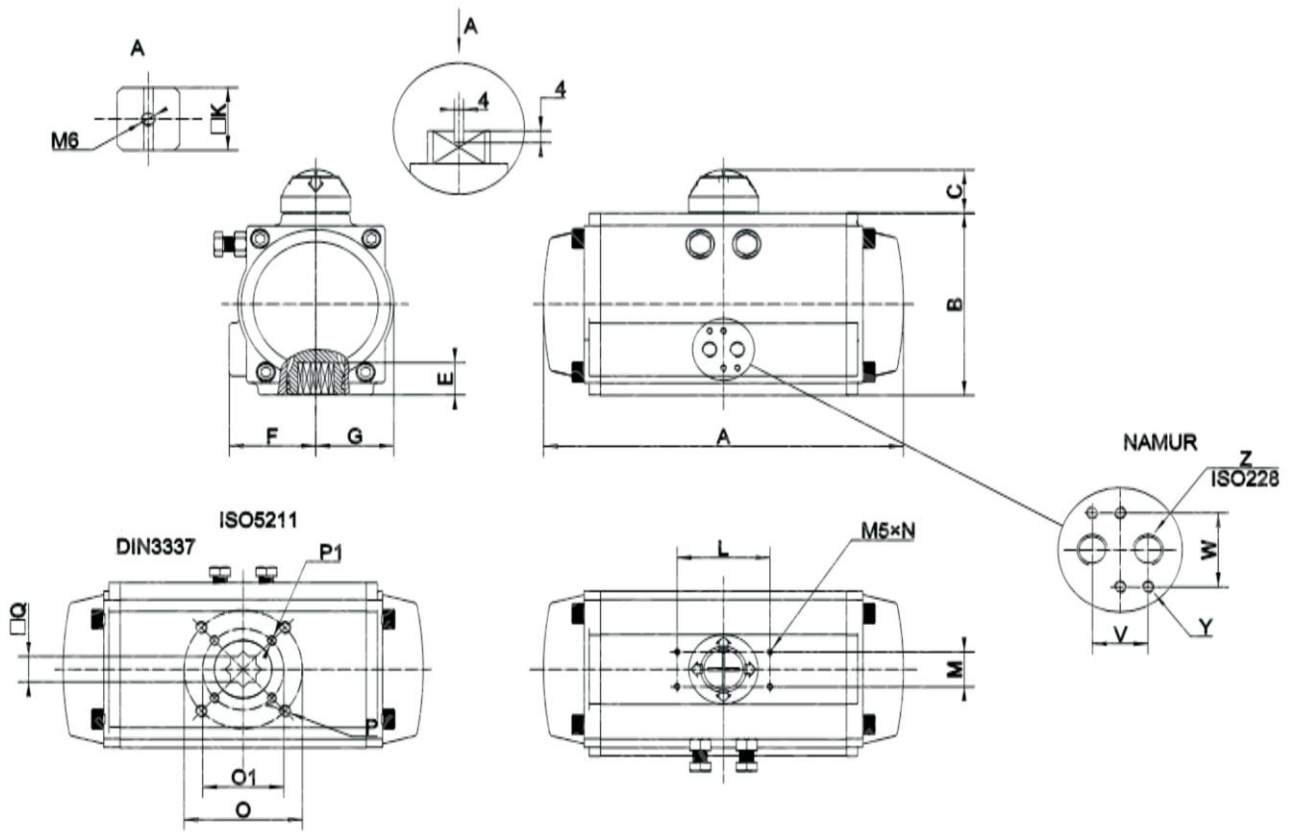
It complies with NAMUR standard and can be directly mounted with NAMUR standard solenoid valve.

10. All fasteners is stainless steel



Components Material

NO	Name	Qty for Each Unit	Standard Material	Materials Selectable
1	Left Cover	1	Aluminum Die Casting	
2	"O" Ring (cover)	2	NBR	FPM/Q
3	piston ring	2	POM	
4	"O" Ring (piston)	2	NBR	FPM/Q
5	Piston	2	Aluminum Die Casting	
6	Bolt	1	ABS	
7	Main Body of the Indicator	1	ABS	
8	Shaft Ring	1	Stainless Steel	
9	Gasket	1	POM	
10	Block	1	Aluminum Extrusion	
11	Guide Ring	2	PA66	
12	Right Cover	1	Aluminum Die Casting	
13	End Cover Bolt	8	Stainless Steel	
14	"O" Ring (adjusting bolt)	2	NBR	FPM/Q
15	Gasket	2	Stainless Steel	
16	Nut	2	Stainless Steel	
17	Adjustment Bolt	2	Stainless Steel	
18	"O" Ring (at the top of the shaft)	1	NBR	FPM/Q
19	Bearing (at the top of the shaft)	1	POM	
20	Gasket	1	POM	
21	Adjustment Cam	1	Carbonsteel	
22	Output Shaft	1	Carbonsteel	
23	Bearing (output shaft bottom)	1	POM	
24	"O" Ring (output shaft bottom)	1	NBR	FPM/Q



Dimensions and Connection(mm)

Model	RT052	RT063	RT075	RT083	RT092	RT105	RT125	RT140	RT160	RT190	RT210	RT240	RT270	RT300	RT350	RT400
ISOflange	F03/F05	F05/F07	F05/F07	F05/F07	F07/F10	F07/F10	F07/F10	F10/F12	F10/F12	F14	F14	F16	F16	F16	F16/F25	F16/F25
A	154	176	188	211	244	277	310	394	458	523	526	602	718	760	920	940
B	73	89	101	110	118	135	157	175	198	232	257	289	326	350	410	466
C	25	25	25	25	25	25	39	39	39	39	39	30	30	30	30	30
E	13	17	17	20	20	25	27	30	30	38	38	50	50	50	50	50
F	41	47	53	57	60	64	75	75	86	103	113	130	147	174	195	260
G	30	36	43	47	50	58	67	75	86	103	113	130	147	162	190	260
L	80	80	80	80	80	80	80	130	130	130	130	130	130	130	130	130
M	30	30	30	30	30	30	30	30	30	30	30	30	30	30	30	30
N	4-M5x9	4-M5x9	4-M5x9	4-M5x9	4-M5x9	4-M5x9	4-M5x9	4-M5x9	4-M5x9	4-M5x9	4-M5x9	4-M5x9	4-M5x9	4-M5x9	4-M5x9	4-M5x9
O	50	70	70	70	102	102	102	125	125	140	140	165	165	165	254	254
P	4-M6x9	4-M8x12	4-M8x12	4-M8x12	4-M10x15	4-M10x15	4-M10x15	4-M12x18	4-M12x18	4-M16x24	4-M16x24	4-M20x25	4-M20x25	4-M20x25	8-M16x25	8-M16x25
O1	36	50	50	50	70	70	70	102	102	—	—	—	—	—	165	165
P1	4-M5x8	4-M6x9	4-M6x9	4-M6x9	4-M8x12	4-M8x12	4-M8x12	4-M10x15	4-M10x15	—	—	—	—	—	4-M20x25	4-M20x25
Q	11	14	14	17	17	22	22	27	27	36	36	46	46	46	46	46
V	24	24	24	24	24	24	24	24	24	24	24	24	40	40	40	40
W	36	36	36	36	36	36	36	36	36	36	36	36	45	45	45	45
Y	4-M5x9	4-M5x9	4-M5x9	4-M5x9	4-M5x9	4-M5x9	4-M5x9	4-M5x9	4-M5x9	4-M5x9	4-M5x9	4-M5x9	4-M6x10	4-M6x10	4-M6x10	4-M6x10
Z	G1/4"	G1/4"	G1/4"	G1/4"	G1/4"	G1/4"	G1/4"	G1/4"	G1/4"	G1/4"	G1/4"	G1/4"	G1/2"	G1/2"	G1/2"	G1/2"

Output Torque

Double Acting Output Torque(Nm)

Actuator Model	2.0Bar	2.5Bar	3.0Bar	4.0Bar	4.5Bar	5.0bar	5.5bar	6.0bar	7.0bar	8.0bar
RT052D	8	10	12	16	18	20	22	24	28	32
RT063D	15	18	22	29	33	36	40	44	51	58
RT075D	20	25	30	40	45	50	55	60	70	80
RT083D	31	39	47	63	70	78	86	94	111	125
RT092D	45	56	68	90	102	113	124	135	158	181
RT105D	66	83	99	132	149	165	182	198	231	264
RT125D	100	125	150	200	226	251	276	301	351	401
RT140D	171	214	256	342	385	427	470	513	598	684
RT160D	266	332	399	532	598	665	731	798	931	1064
RT190D	420	532	638	851	958	1064	1170	1277	1490	1702
RT210D	532	665	798	1064	1197	1330	1463	1596	1862	2128
RT240D	769	962	1154	1539	1731	1924	2116	2308	2693	3078
RT270D	1170	1462	1750	2339	2632	2924	3216	3509	4094	4679
RT300D	1526	1908	2289	3052	3434	3815	4197	4578	5341	6104
RT350D	2285	2856	3427	4570	5141	5712	6283	6854	7997	9139
RT400D	3256	4070	4884	6512	7326	8140	8954	9768	11396	13024

Single Action Output Torque(Spring Return)(Nm)

Actuator Model	Spring Quantity	Air Pressure Torque										Spring Return Torque	
		4Bar		5.0Bar		6.0Bar		7.0Bar		8.0Bar			
		0° Start	90° End	0° Start	90° End	0° Start	90° End	0° Start	90° End	0° Start	90° End	0° Start	90° End
RT052S	10	7.4	3.6	11.5	6.7	15.5	11.6	19.5	15.6	/	/	12.4	8.5
RT063S	10	1.4	8.2	22.8	15.6	30	22.8	37.3	30.1	44.7	37.4	20.9	13.7
RT075S	10	19	11.1	28.8	21.2	39	31.2	49.1	41.2	59.1	51.2	29	21.1
RT083S	10	31	16.6	46.7	32.3	62.4	48	78.1	63.7	93.8	79.3	46	31.6
RT092S	10	43.6	21.5	66.2	44.1	88.8	66.7	111.3	89.2	134	11.8	68.7	46.7
RT105S	10	68.9	33.4	102	66.5	135.1	99.6	161.8	123.1	201.2	165.7	98.4	63.3
RT125S	10	96	44	146	94	196	144	247	194	297	245	157	105
RT140S	10	170	84	256	169	314	255	427	340	512	426	258	172
RT160S	10	253	115	386	248	519	381	652	514	785	647	417	279
RT190S	10	451	233	664	446	877	658	1090	871	1302	1084	618	400
RT210S	10	514	304	780	570	1046	836	1312	1102	1578	1368	760	550
RT240S	10	718	431	1103	816	1488	1201	1872	1586	2257	1970	1108	821
RT270S	10	1220	767	1805	1352	2390	1937	2974	2521	3560	3107	1572	1119
RT300S	10	1430	695	2355	1693	2956	2221	3719	2984	4482	3747	2122	1460
RT350S	10	1963	787	3105	1929	4247	3071	5390	4214	6532	5356	3405	2346
RT400S	10	3012	1025	4640	2653	6268	4281	7895	5908	9523	7536	4938	3149

Accessories

Limit Switch Box

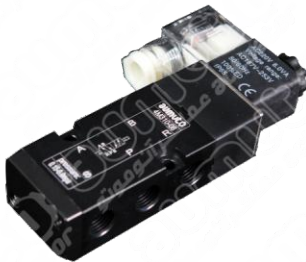


(IP67,IP68)

MODEL : APL - 210N

- Enclosure : Weatherproof IP67/NEMA4&4X (Standard) IP68(OPTION)
- Solid and compact design
- Bolts on visual position indicator
(Re-adjustment available upon required direction)
- Dual cable entries : 2 x 1/2 NPT(Standard)
M20, PG13.5, PF1/2", PT1/2".(OPTION)
- Terminal Strips : 8 points(0.08-2.5mm²)
- Captive cover bolts
- Easy mounting bracket
NAMUR standard stainless steel shaft and bracket.

Solenoid Valve



MODEL : 4M310-08

1. Internally piloted structure.
2. Structure in sliding column mode: good tightness and sensitive reaction.
3. Double control solenoid valves have memory function.
4. Internal hole adopts special processing technology which has little attrition friction, low start pressure and long service life.
5. No need to add oil for lubrication.
6. Install in the side plate with the surface upward, which can be used by directly connecting with the actuators.
7. Affiliated manual devices are equipped to facilitate installation and debugging.
8. Several standard voltage grades are optional.

اوموتو

actuator عملگر انوموتو

B u i l d A Q u a l i t y

تهران، لاله زار جنوبی، روبه روی مسجد لاله زار، کوچه اتحادیه، پاساژ اتحادیه، طبقه همکف، پلاک ۳۱

تلفن: ۰۲۱-۳۳۹۹۸۲۰۴-۵ تلفکس: ۰۲۱-۴۰۳۳۰۳۴۰

www.aumuto.com